



PRECISION LIGHTING INSTRUMENTS

DLED10-BI BICOLOR OUR NEW FLAGSHIP



The DLED10 lights are extremely powerful compact and versatile.

See separate product information for daylight version.



DLED10-BI – Bicolor Light Head

Bicolor 2700K – 6500K, allows the adaptation to changing situations of ambient light.

Ideally suited for the larger lighting task, also for mobile drama production, as well as for studios.

DT10-BI – Bicolor Ballast

Autoranging: 90 - 264 V AC

Continuous Dimming: 100% - 0%

Continuous control of color temperature: 2700 - 6500 K

Stand mounting accessory (option)

SETDLED10-BI - SET

incl.:

- **DLED10-BI** Light head bicolor
- **DT10-BI** Ballast bicolor and mains cable
- **DPOW10** Cable to light head
- **DPLS400** Light shield ring
- **DBD400** 8-leaf barn door

Option:

- **DEB400H** stand mounting accessory

These totally new dedolight LED lights offer:

- **Compact construction**
- **Aspherical optics**
- **Perfect performance**
- **Perfect light distribution**
- **Perfect color**
- **Super quiet, innovative cooling system**

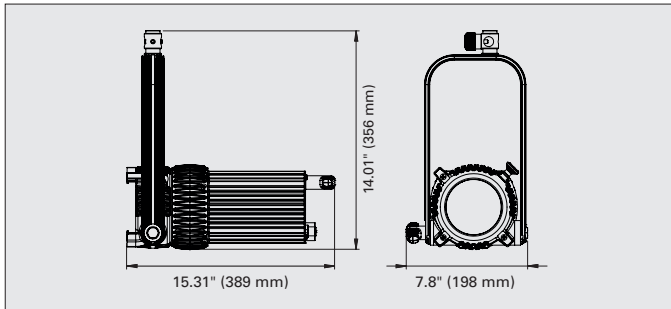
Permits the use of the following optical accessories:

- Non-spherical, wide-angle attachment DLWA400R
- DP400 imager / projection attachment with interchangeable modules for different tasks and interchangeable lenses
Serves super precise light-/shadow-shaping and projections, the best, west and east of the Mississippi
- 8-leaf barn door DBD400
- Use of different soft boxes with speed ring DLSR8
- Parallel beam attachment DPBA-14. An amazing optical achievement, doubles the light output and opens the doors to the creative Lightstream system and the work with reflected light.

See separate dedolight Lightstream brochure.



Technical Data: DLED10-BI

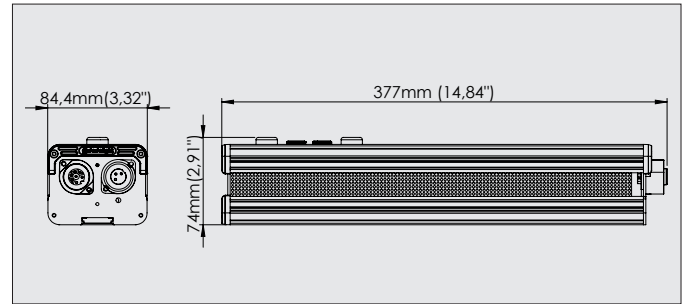


Focusing range (with wide-angle attachment)	50° - 4° (75° - 44°)
Intensity range	1 : 4
Power consumption	245 W
Color temperature	2700 - 6500 K
Focus control	1 ¾ turns on focus ring
Mounting	16 mm (5/8 ") receptacle and 28 mm (1 1/8 ") stud
Operating position	Any
Tilt control	Tilt pivot on right side of light head
Accessory slot	Ø 129 mm (5.1") diameter
Cooling	Extremely quiet hightec cooling system
Safety	IP20
Size	389 x 198 x 356 mm (15.3 x 7.8 x 14")
Weight	4,2 kg (9.3 lbs)

	daylight	tungsten
CRI Ra	95	97
CRI Re	92	96
TLCI	95	97
Delta UV	-0.0047	-0.0008
Lux in 3 m flood position	1.400 lx	
Lux in 3 m spot position	5.466 lx	
Lux in 3 m with parallel beam attachment DPBA-14	8.027 lx	

DLED10-BI Bicolor		in daylight function 5600 K					
Distance	Meter	1	2	3	4	5	10
Flood	Lux	12.600	3.150	1.400	788	504	126
Medium	Lux	16.632	4.158	1.848	1.040	665	166
Spot	Lux	49.194	12.299	5.466	3.075	1.968	492
DLED10-BI Bicolor		in tungsten function 3200 K					
Flood	Lux	10.395	2.599	1.155	650	416	104
Medium	Lux	13.725	3.431	1.525	858	549	137
Spot	Lux	42.003	10.501	4.667	2.625	1.680	420

Technical Data: DT10



Input voltage	90 V - 264 V
Output voltage	max. 48 V
Watt	350 W
Dimming range	100 - 0 %
Control	Dimming knob, DMX control
Safety	SELV, Protection Class I, IP20
Input cable	DCAB3A-SW 5 m (16.4')
Cable to light head	separate: DPOW10 = 7 m (23')
Mounting	Cable loop, option: stand mounting DEB400H (incl. CLAMP-D)
Size	377 x 84,4 x 74 mm (14.8 x 3.3 x 2.9")
Weight	2,2 kg (4.9 lbs)



DT10-BI with stand adapter (DEB400H)



Dedo Weigert Film GmbH

Karl-Weinmair-Straße 10
D-80807 Munich, Germany

Phone: +49-(0)89 - 356 16 01
Fax: +49-(0)89 - 356 60 86

info@dedoweigertfilm.de
www.dedoweigertfilm.de