

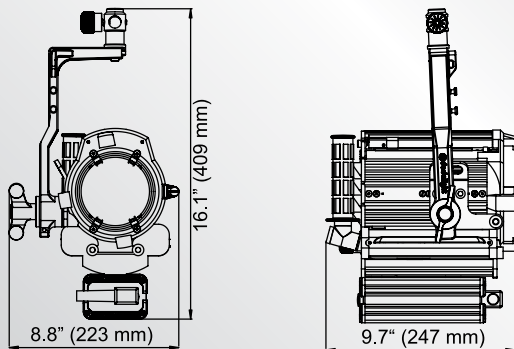


DLH400DT Daylight Light Head

A fixture for single ended 400W daylight metal halide lamps with unrivaled focusing range and unequalled light quality. Can be operated at 575 W with the same lamp when used in conjunction with the dedolight DEB400DT electronic ballast. Matches optical design of the DP400 projection attachment for flawless performance.

Technical Data: DLH400DT

Focus Angle: 50°-4.5°
 Focus Intensity: 1 : 20
 Focus Scale: Indicates current angle of beam
 Weight: 4400 g (9.7 lbs)
 Lamp: DL400DHR-NB 400W daylight single ended,
 Hot Restrike
 Cable: DPOW400DT, 7 m (23')
 Mounting: 16 mm (5/8") receptacle and 28 mm (1 1/8") stud
 Safety: Safety switch prevents operation when access door is open
 UV: Extremely low UV emission
 ON/OFF: On/Off push buttons located on both head and ballast for ease of operation



DEB400DT Flicker Free Ballast

Utilizing the latest technology, the DEB400DT electronic flicker free ballast was designed to power the DLH400DT, the dedoPAR and the DLH400SDT.

Light weight yet rugged, small yet powerful with every conceivable feature you would want.

- Dimmable (40%)
- Boost position for added light output (575W)
- Active power factor correction
- Auto start mode on request
- Over voltage, overload, overheat and short circuit protection
- Automatic input voltage adjustment from 90- 260 V AC

Technical Data: DEB400DT

Weight: 3400 g (7.5 lbs)
 Wattage: 400/575 W
 Input voltage: Automatic sensing 90- 260V AC
 Mounting: May be attached to light stand using DEB400H ballast holder (not included)
 Safety: Over voltage, overload, overheat and short circuit protection
 Indicators: Three LED status indicators (ready, lamp, heat)
 Dimming range: 40%

