

DEDOLIGHT DLED3 TURBO SERIES



The smallest version, same size as the well-known DLED2, which features 20W, or as bicolor 2x20W, now working with a highly effective 40W or double 40W system for bicolor. Active cooling in a silent version, enabling drastically enhanced output. Complete, versatile lighting kit in a handbag format, with the full range of light-shaping and imaging capabilities.

Soft boxes, optionally available, for gentle, pleasing soft light application.

Most probably the smallest, most versatile lighting kit. Small enough to be allowed as cabin baggage.

Other, even more powerful versions of the DLED Turbo Series are still in test stage and may be introduced soon.

Comparison



DLED2

Weight: 17.5 oz. (495 g)



DT2-BAT

Weight: 4.9 oz. (140 g)



DT2-BI-BAT

Weight: 4.9 oz. (140 g)



DLED3 Turbo

Weight: 16.8 oz. (475 g)



DLPS12-60 12V/60W

Size: 5.9 x 2.2 x 1.2" (150 x 55 x 30 mm)

Weight: 11.5 oz. (325 g)



DT3-BAT

Size: 4.5 x 2.8 x 2" (113 x 72 x 50 mm)

Weight: 12.7 oz. (360 g)



DT3-BI-BAT

Size: 5.6 x 2.8 x 2" (143 x 72 x 50 mm)

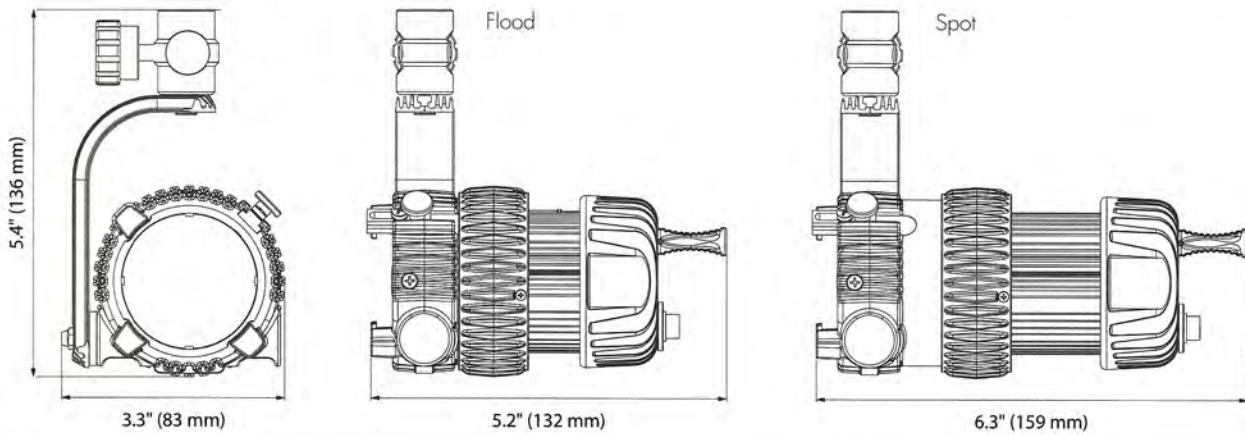
Weight: 12.7 oz. (460 g)

| Light (Focus Range) | DLED2-D (50°-5°) | DLED2-BI (D) (50°-5°) | Turbo Serie | |
|------------------------|---------------------|--------------------------|---------------------|--------------------------|
| | | | DLED3-D (50°-5°) | DLED3-BI (D) (50°-5°) |
| Lux Flood at 1m | 810 | 820 | 1,250 | 1,300 |
| Lux Spot at 1m | 5,250 | 3,350 | 8,100 | 4,800 |
| Power Consumption | 20W | 20W | 40W | 40W |

DLED3 Bicolor Tungsten 20% lower output

DLED3 TURBO TECHNICAL DATA

DLED3-D, DLED3-T, DLED3-BI



FOCUSING LED LIGHT HEAD: DLED3-D, DLED3-T, DLED3-BI

| | |
|--|--|
| Focus Range (Intensity Range) | 50°-5° (1:7) |
| Focus Control | 3/4 turn on focus ring |
| Power | Max. Power Consumption 40W. even for bi-color version, alternating between two 40W light sources. |
| Mounting | 5/8" (16 mm) receptacle |
| Operating Position | Any |
| Tilt Control | Adjustable friction |
| Accessory Holder* | Ø 2.3" (58 mm) |
| Safety | Protection Class III, SELV, IP20 |
| Cooling | Active Silent Cooling |
| UV | No UV radiation |
| Weight | 1.8 lb (800g) |
| * for mounting the unique range of DLED3 front-end accessories | |

DLED3-D Focusing LED Light Head. Daylight approx. 5600K

| Distance | Meter | 1 | 2 | 3 | 4 | 5 |
|----------|-------------|--------|-------|-------|-------|-----|
| | Feet | 3' | 6' | 9' | 12' | 15' |
| Flood | Lux | 1,350 | 338 | 150 | 84 | 54 |
| | Foot Candle | 126 | 31 | 14 | 8 | 5 |
| Medium | Lux | 2,511 | 629 | 279 | 156 | 100 |
| | Foot Candle | 237 | 58 | 26 | 15 | 9.3 |
| Spot | Lux | 16,500 | 4,125 | 1,833 | 1,031 | 660 |
| | Foot Candle | 1,534 | 383 | 170 | 96 | 61 |

DLED3-T Focusing LED Light Head. Tungsten approx. 3200K

| Distance | Meter | 1 | 2 | 3 | 4 | 5 |
|----------|-------------|-------|-------|-----|------|------|
| | Feet | 3' | 6' | 9' | 12' | 15' |
| Flood | Lux | 1,170 | 293 | 130 | 73 | 47 |
| | Foot Candle | 109 | 27 | 12 | 7 | 4.4 |
| Medium | Lux | 1,942 | 486 | 216 | 121 | 78 |
| | Foot Candle | 181 | 45 | 20 | 11.3 | 7.2 |
| Spot | Lux | 4,350 | 1,088 | 483 | 272 | 174 |
| | Foot Candle | 404 | 101 | 45 | 25 | 16.2 |

DLED3-BI Focusing LED Light Head. Bicolor measured at 5600K - daylight

Color temperature continuously adjustable from 2700 - 6500K

| Distance | Meter | 1 | 2 | 3 | 4 | 5 |
|----------|-------------|-------|-------|-----|------|-----|
| | Feet | 3' | 6' | 9' | 12' | 15' |
| Flood | Lux | 1,450 | 363 | 161 | 91 | 58 |
| | Foot Candle | 135 | 34 | 15 | 8.4 | 5.4 |
| Medium | Lux | 2,610 | 653 | 290 | 163 | 104 |
| | Foot Candle | 243 | 61 | 27 | 15.2 | 10 |
| Spot | Lux | 5,650 | 1,413 | 628 | 353 | 226 |
| | Foot Candle | 525 | 131 | 58 | 33 | 21 |

Bicolor in tungsten function ~ 15 % lower output